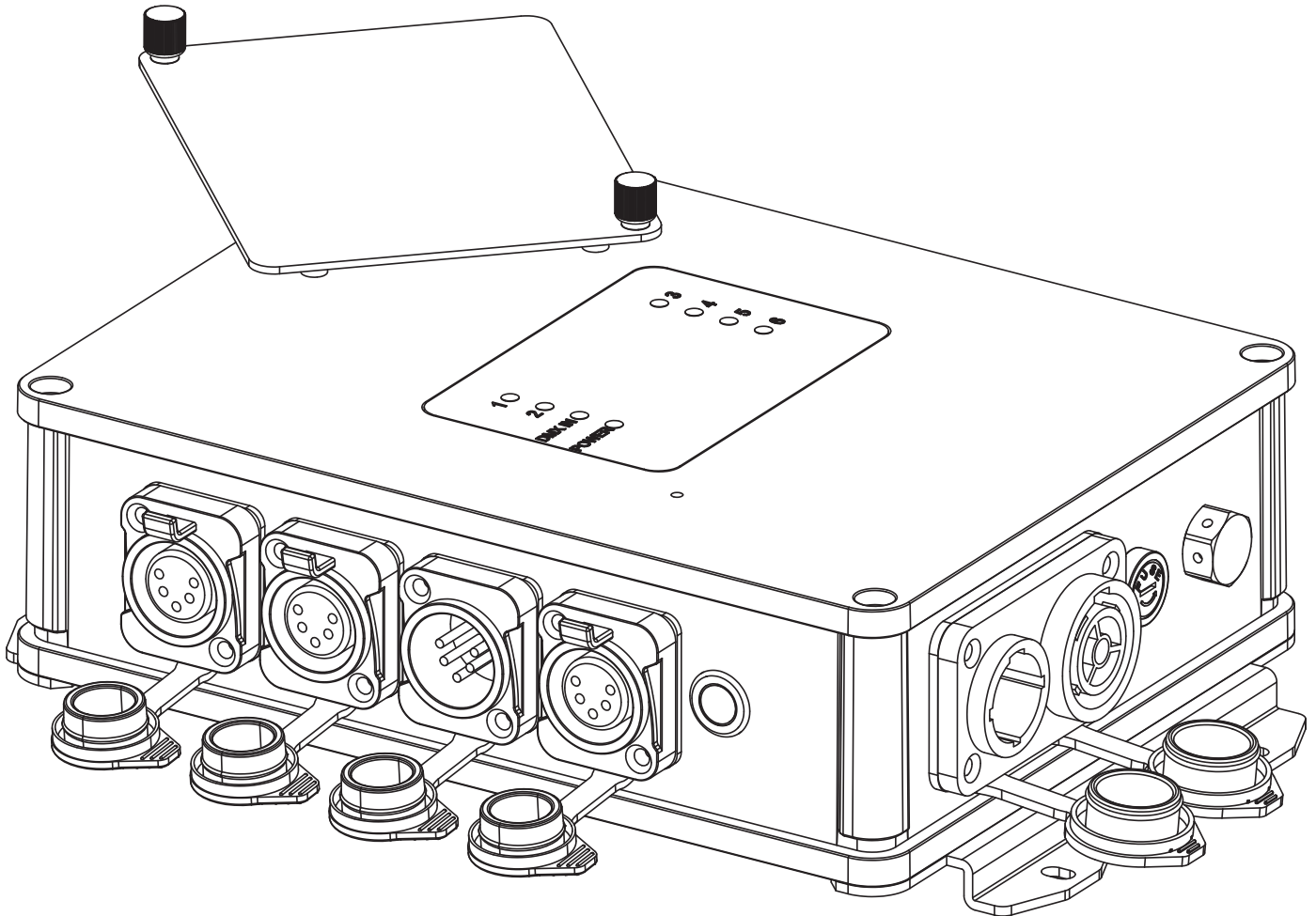


OBSIDIAN

CONTROL SYSTEMS



NETRON

RDM6 IP

Installation Guide

©2024 **OBSIDIAN CONTROL SYSTEMS** all rights reserved. Information, specifications, diagrams, images, and instructions herein are subject to change without notice. Obsidian Control Systems logo and identifying product names and numbers herein are trademarks of ADJ PRODUCTS LLC. Copyright protection claimed includes all forms and matters of copyrightable materials and information now allowed by statutory or judicial law or hereinafter granted. Product names used in this document may be trademarks or registered trademarks of their respective companies and are hereby acknowledged. All non-ADJ brands and product names are trademarks or registered trademarks of their respective companies.

OBSIDIAN CONTROL SYSTEMS and all affiliated companies hereby disclaim all liabilities for property, equipment, building, and electrical damages, injuries to any persons, and direct or indirect economic loss associated with the use or reliance of any information contained within this document, and/or as a result of the improper, unsafe, insufficient and negligent assembly, installation, rigging, and operation of this product.

ELATION PROFESSIONAL B.V.

Junostraat 2 | 6468 EW Kerkrade, The Netherlands
+31 45 546 85 66

FCC STATEMENT

This device complies with Part 15 of the FCC Rules. Operation is subject to the following two conditions: (1) this device may not cause harmful interference, and (2) this device must accept any interference received, including interference that may cause undesired operation.

FCC RADIO FREQUENCY INTERFERENCE WARNINGS & INSTRUCTIONS

This product has been tested and found to comply with the limits as per Part 15 of the FCC Rules. These limits are designed to provide reasonable protection against harmful interference in a residential installation. This device uses and can radiate radio frequency energy and, if not installed and used in accordance with the included instructions, may cause harmful interference to radio communications. However, there is no guarantee that interference will not occur in a particular installation. If this device does cause harmful interference to radio or television reception, which can be determined by turning the device off and on, the user is encouraged to try to correct the interference by one or more of the following methods:

- Reorient or relocate the device.
- Increase the separation between the device and the receiver.
- Connect the device to an electrical outlet on a circuit different from which the radio receiver is connected.
- Consult the dealer or an experienced radio/TV technician for help.

Energy Saving Matters (EuP 2009/125/EC)

Saving electric energy is a key to help protecting the environment. Please turn off all electrical products when they are not in use. To avoid power consumption in idle mode, disconnect all electrical equipment from power when not in use. Thank you!

Document Version: An updated version of this document may be available online.

Please check www.obsidiancontrol.com for the latest revision/update of this document before beginning installation and use.

Date	Document Version	Note
04/04/2024	1.0	Initial Release
04/09/2024	1.1	Added French translation; updated General Information

CONTENTS

General Information	4
Limited Warranty	5
IP66 Rated	6
Safety Guidelines	7
Connections	8
Installation Instructions	10
Maintenance	13
Specifications	14
Dimensions	15

GENERAL INFORMATION

INTRODUCTION

Please read and understand the instructions in this manual carefully and thoroughly before attempting to operate this device. These instructions contain important safety and use information.

The **Netron RDM6 IP** is a six port DMX/RDM splitter in a rugged IP66 rated chassis. It is designed for live productions, movie sets, temporary outdoor installations, or interior use with long term protection from humidity, dust and debris.

UNPACKING

Every device has been thoroughly tested and has been shipped in perfect operating condition. Carefully check the shipping carton for damage that may have occurred during shipping. If the carton is damaged, carefully inspect the device for damage, and be sure all accessories necessary to install and operate the device have arrived intact. In the event damage has been found or parts are missing, please contact our customer support team for further instructions. Please do not return this device to your dealer without first contacting customer support. Please do not discard the shipping carton in the trash. Please recycle whenever possible.

KEY FEATURES:

- IP66 Chassis
- (6) XLR 5pin outputs
- DMX and RDM compliant
- Optically isolated ports
- Power / DMX Through connectors
- Powder-coated aluminum housing

INCLUDED ITEMS

- Wall Mount Bracket (x2)
- M12 to M10 adapter nut (x1)
- 5ft (1.5m) Power Cable (x1)
- Silver Screws (x4)

CUSTOMER SUPPORT

Contact your local Obsidian Controls Systems dealer or distributor for any product related service and support needs. Also visit forum.obsidiancontrol.com with questions, comments, or suggestions.

OBSIDIAN CONTROL SERVICE EUROPE - Monday - Friday 08:30 to 17:00 CET
+31 45 546 85 63 | support@obsidiancontrol.com

OBSIDIAN CONTROL SERVICE USA - Monday - Friday 08:30 to 17:00 PST
+1(844) 999-9942 | support@obsidiancontrol.com

LIMITED WARRANTY

1. Obsidian Control Systems hereby warrants, to the original purchaser, Obsidian Control Systems products to be free of manufacturing defects in material and workmanship for a period of two years (730 days).
2. For warranty service, send the product only to the Obsidian Control Systems service center. All shipping charges must be pre-paid. If the requested repairs or service (including parts replacement) are within the terms of this warranty, Obsidian Control Systems will pay return shipping charges only to a designated point within the United States. If any product is sent, it must be shipped in its original package and packaging material. No accessories should be shipped with the product. If any accessories are shipped with the product, Obsidian Control Systems shall have no liability whatsoever for loss and/or or damage to any such accessories, nor for the safe return thereof.
3. This warranty is void if the product serial number and/or labels are altered or removed; if the product is modified in any manner which Obsidian Control Systems concludes, after inspection, affects the reliability of the product; if the product has been repaired or serviced by anyone other than the Obsidian Control Systems factory unless prior written authorization was issued to purchaser by Obsidian Control Systems; if the product is damaged because not properly maintained as set forth in the product instructions, guidelines and/or user manual.
4. This is not a service contract, and this warranty does not include any maintenance, cleaning or periodic check-up. During the periods as specified above, Obsidian Control Systems will replace defective parts at its expense, and will absorb all expenses for warranty service and repair labor by reason of defects in material or workmanship. The sole responsibility of Obsidian Control Systems under this warranty shall be limited to the repair of the product, or replacement thereof, including parts, at the sole discretion of Obsidian Control Systems. All products covered by this warranty were manufactured after January 1, 1990, and bare identifying marks to that effect.
5. Obsidian Control Systems reserves the right to make changes in design and/or performance improvements upon its products without any obligation to include these changes in any products theretofore manufactured.
6. No warranty, whether expressed or implied, is given or made with respect to any accessory supplied with the products described above. Except to the extent prohibited by applicable law, all implied warranties made by Obsidian Control Systems in connection with this product, including warranties of merchantability or fitness, are limited in duration to the warranty periods set forth above. And no warranties, whether expressed or implied, including warranties of merchantability or fitness, shall apply to this product after said periods have expired. The consumer's and/or dealer's sole remedy shall be such repair or replacement as is expressly provided above; and under no circumstances shall Obsidian Control Systems be liable for any loss and/or damage, direct and/or consequential, arising out of the use of, and/or the inability to use, this product.
7. This warranty is the only written warranty applicable to Obsidian Control Systems products and supersedes all prior warranties and written descriptions of warranty terms and conditions heretofore published.
8. Use of software and firmware: To the maximum extent permitted by applicable law, in no event shall Elation or Obsidian Control Systems or its suppliers be liable for any damages whatsoever (including, but not limited to, damages for loss of profits or data, for business interruption, for personal injury or other loss whatsoever) arising out of or in any way related to the use of or inability to use firmware or software, the provision of or failure to provide support or other services, information, firmware, software, and related content through the software or otherwise arising out of the use of any software or firmware, even in the event of the fault, tort (including negligence), misrepresentation, strict liability, breach of warranty of Elation or Obsidian Control Systems or any supplier, and even if Elation or Obsidian Control Systems or any supplier has been advised of the possibility of such damages.

WARRANTY RETURNS: All returned service items, whether under warranty or not, must be freight pre-paid and accompany a return authorization (R.A.) number. The R.A. number must be clearly written on the outside of the return package. A brief description of the problem as well as the R.A. number must also be written down on a piece of paper and included in the shipping container. If the unit is under warranty, you must provide a copy of your proof of purchase invoice. Items returned without a R.A. number clearly marked on the outside of the package will be refused and returned at customer's expense. You may obtain a R.A. number by contacting customer support.

IP66 RATED

The **International Protection (IP)** rating system is commonly expressed as “IP” (Ingress Protection) followed by two numbers (i.e. IP66), where the numbers define the degree of protection. The first digit (Foreign Bodies Protection) indicates the extent of protection against particles entering the fixture, and the second digit (Water Protection) indicates the extent of protection against water entering the fixture. **An IP66 rated lighting fixture is designed and tested to protect against the ingress of dust (6), and high-pressure water jets from any direction (6).**

NOTE: THIS FIXTURE IS INTENDED FOR TEMPORARY OUTDOOR USE ONLY!

Maritime/Coastal Environment Installations: A coastal environment is seaside adjacent, and caustic to electronics through exposure to atomized salt-water and humidity, whereas maritime is anywhere within 5 miles of a coastal environment.



NOT suitable for maritime/coastal environment installations. Installing this fixture in a maritime/coastal environment may cause corrosion and/or excessive wear to the interior and/or exterior components of the fixture. Damages and/or performance issues resulting from installation in a maritime/coastal environment will void the manufacturer’s warranty, and will NOT be subject to any warranty claims and/or repairs.

SAFETY GUIDELINES

This device is a sophisticated piece of electronic equipment. To guarantee a smooth operation, it is important to follow all instructions and guidelines in this manual. OBSIDIAN CONTROL SYSTEMS is not responsible for injury and/or damages resulting from the misuse of this device due to the disregard of the information printed in this manual. Only the original included parts and/or accessories for this device should be used. Any modifications to the device, included and/or accessories will void the original manufacturer's warranty and increase the risk of damage and/or personal injury.



PROTECTION CLASS 1 – DEVICE MUST BE PROPERLY GROUNDED



DO NOT ATTEMPT TO USE THIS DEVICE WITHOUT BEING FULLY TRAINED ON ITS USAGE. ANY DAMAGES OR REPAIRS TO THIS DEVICE OR ANY LIGHTING FIXTURES CONTROLLED BY THIS DEVICE RESULTING FROM IMPROPER USE AND/OR THE DISREGARD OF THE SAFETY AND OPERATION GUIDELINES IN THIS DOCUMENT VOIDS THE OBSIDIAN CONTROL SYSTEMS WARRANTY ARE NOT SUBJECT TO ANY WARRANTY CLAIMS AND/OR REPAIRS, AND MAY ALSO VOID THE WARRANTY FOR ANY NON-OBSIDIAN CONTROL SYSTEMS DEVICES. KEEP FLAMMABLE MATERIALS AWAY FROM DEVICE.

- **DISCONNECT** the device from AC power when not in use, or before performing any maintenance or repair, including the removal of fuses or other parts.
- Always electrically ground this device.
- Use only a source of AC power that complies with local building and electrical codes and has both overload and ground-fault protection.
- Never attempt to bypass fuses. Always replace defective fuses with ones of the specified type and rating.
- Refer all service to a qualified technician.
- Do not modify the device or install other than genuine Netron parts.
- **AVOID** brute force handling during transport or operation.
- **DO NOT** expose any part of the device to open flame or smoke. Keep device away from heat sources such as radiators, heat registers, stoves, or other appliances (including amplifiers) that produce heat.
- **DO NOT** use device in extreme and/or severe environments.
- Replace fuses with units of the same type and rating only. Never attempt to bypass a fuse. Unit provided with a single fuse in Line side.
- **DO NOT** operate device if power cord is frayed, crimped, damaged and/or if any of the power cord connectors are damaged, and does not insert into the device securely with ease.
- NEVER force a power cord connector into device. If the power cord or any of its connectors are damaged, replace it immediately with a new one of the same power rating.
- Use only the provided AC power supply and power cords and the correct connector for the country of operation. Use of the factory provided power cable is mandatory for operation in the US and Canada.
- Allow free unobstructed airflow to the side of the product. Do not block the ventilation slots.
- Operate the console only on a stable and solid surface.
- **DO NOT** use the product if the ambient temperature exceeds 45°C (113° F)
- Transport the product only in suitable packaging or a custom fitted road case. Transportation damage is not covered under warranty.

CONNECTIONS

AC CONNECTIONS



The Obsidian Control Systems Neutron RDM6 IP is rated 100-240V 50/60Hz. Do not connect it to power outside this range. Damage resulting from incorrect connection is not covered under warranty.

North America: A suitable power cable is provided for use with this device in the USA and Canada. This approved cable must be used in North America.

Rest of the world: The provided power cable is not fitted with a country-specific plug. Install only a plug that meets local and or national electrical codes and is suitable for the country's specific requirements.

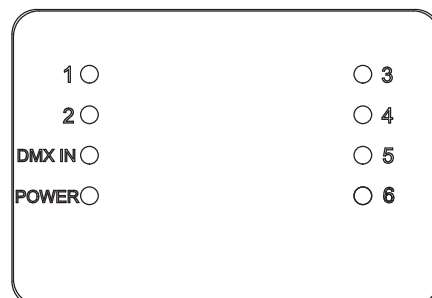
DMX CONNECTIONS

All DMX Output connections are 5pin female XLR; the pin-out on all sockets is pin 1 to shield, pin 2 to cold (-), and pin 3 to hot (+). Pins 4 and 5 are not used. Carefully connect DMX cables to the respective ports. To prevent damaging the DMX ports, provide strain relief and support. Avoid connecting FOH Snakes to the ports directly.

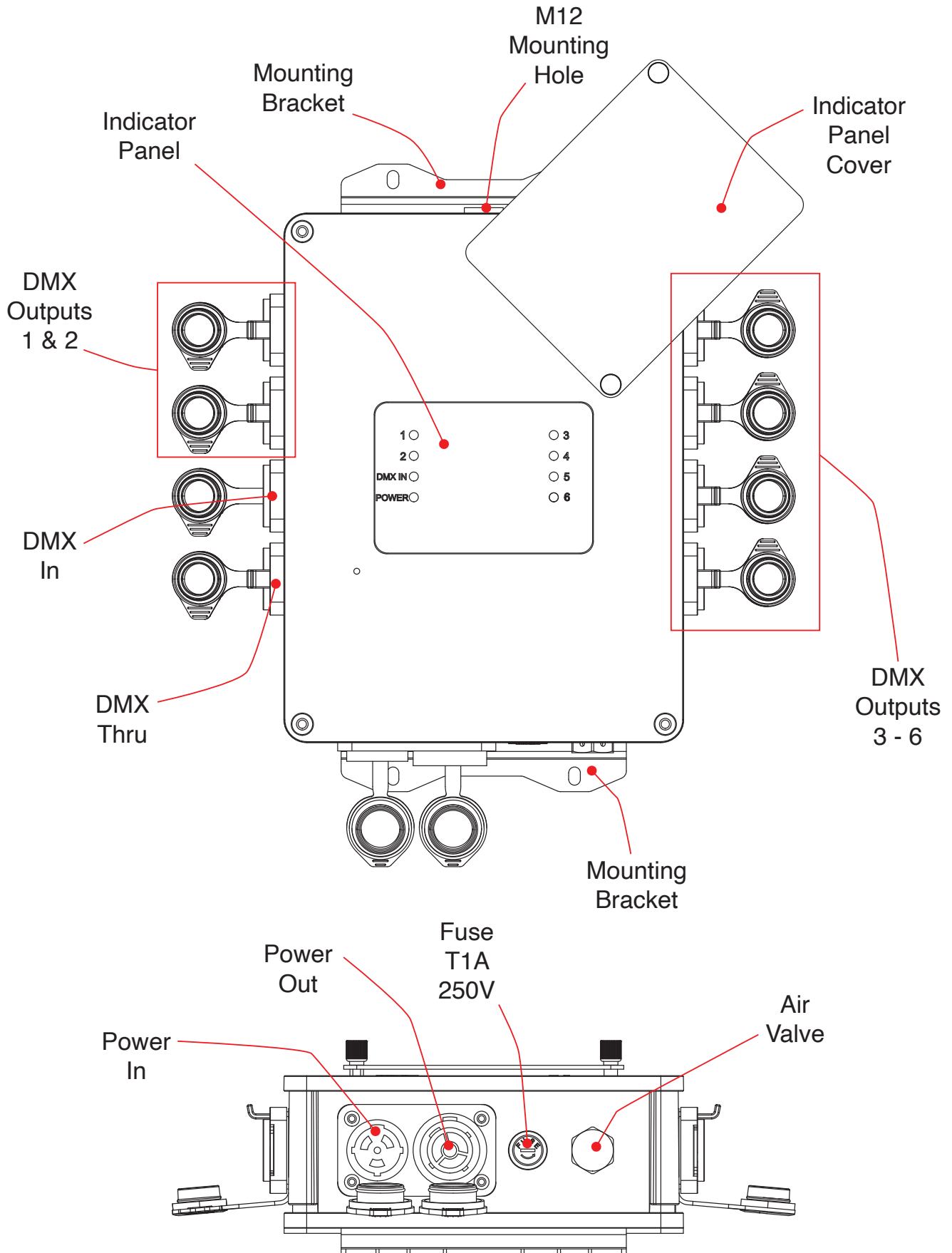
PIN	CONNECTION
1	Com
2	Data-
3	Data+
4	Not connected
5	Not connected

This device features six (6) DMX outputs, one (1) DMX input, one (1) DMX thru port. Indicator lights for all data connections (as well as the power connections) are located on an indicator panel on the top of the device, as shown below.

When viewed from above with the text of the indicator panel oriented upright, DMX Outputs 1 & 2 are located in the upper left side of the device, the DMX input and thru ports are located in the lower left side of the device, and DMX Outputs 3 - 6 are located along the right side of the device. Please refer to the image on the next page.



CONNECTIONS



INSTALLATION INSTRUCTIONS



DISCONNECT POWER BEFORE PERFORMING ANY MAINTENANCE!



ELECTRICAL CONNECTIONS

A qualified electrician should be used for all electrical connections and/or installations.



USE CAUTION WHEN POWER LINKING OTHER MODEL DEVICES AS THE POWER CONSUMPTION OF OTHER MODEL DEVICES MAY EXCEED THE MAXIMUM POWER OUTPUT OF THIS DEVICE. CHECK SILK SCREEN FOR MAXIMUM AMPS.

Device **MUST** be installed following all local, national, and country commercial electrical and construction codes and regulations.

POWER LINKING



USE CAUTION WHEN POWER LINKING AS THE POWER CONSUMPTION MAY EXCEED THE MAXIMUM POWER OUTPUT ON THIS DEVICE. CHECK SILK SCREEN FOR MAXIMUM AMPS.



PLEASE NOTE THAT ALL UNUSED CONNECTION PORTS SHOULD BE SEALED USING THE INCLUDED PORT CAPS IN ORDER TO MAINTAIN IP66 RATING!



REMOVABLE PROTECTIVE COVER

The metal cover is solely for safeguarding the glass display against mechanical damage. While it is not necessary for the IP protection of the device, it is advisable to leave it installed after the unit is set up.

MOUNTING OPTIONS:

- Truss-mounted using the M12 mounting hole for use with a truss clamp or appropriate mounting hardware.
- Wall-mounted horizontally or vertically (wall mount brackets included)
- Standalone, where the device sits on a stable, flat surface.

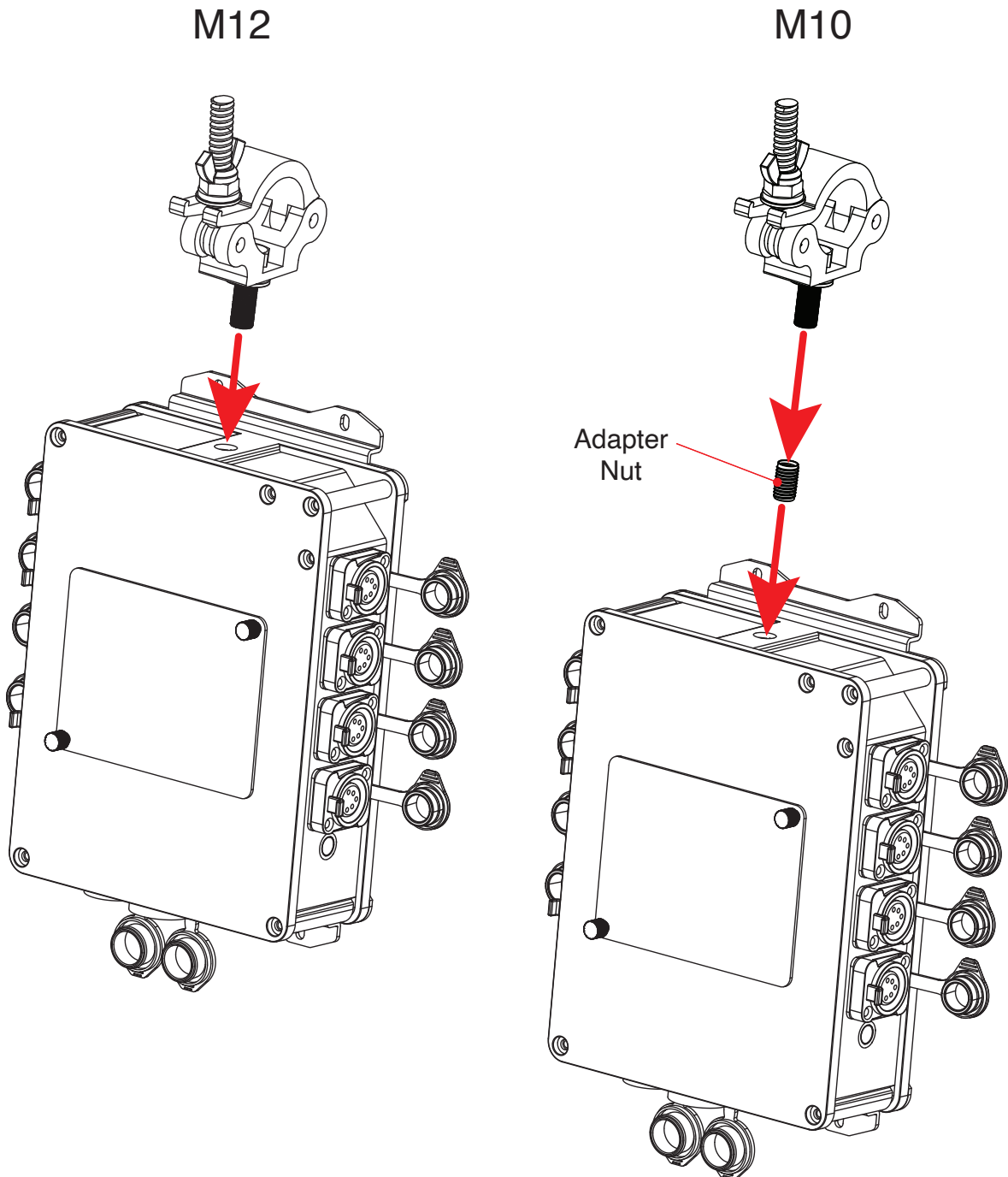
Refer to the following pages for detailed information on each installation method.

INSTALLATION INSTRUCTIONS

TRUSS MOUNTED WITH CLAMP

This unit can be truss mounted using either an M10 or M12 bolt. For the M12 bolt, as shown on the left, simply insert the bolt through a properly rated mounting clamp, then thread the bolt into the matching mounting hole on the side of the device and tighten securely. For an M10 bolt, as shown on the right, insert the included adapter nut into the mounting hole on the device, then thread in your M10 bolt. The clamp can now be used to secure the device to a truss. Always use a clamp that has been rated to support the weight of the device and any associated accessories.

PLEASE NOTE THAT ALL UNUSED CONNECTION PORTS SHOULD BE SEALED USING THE INCLUDED PORT CAPS IN ORDER TO MAINTAIN IP66 RATING!

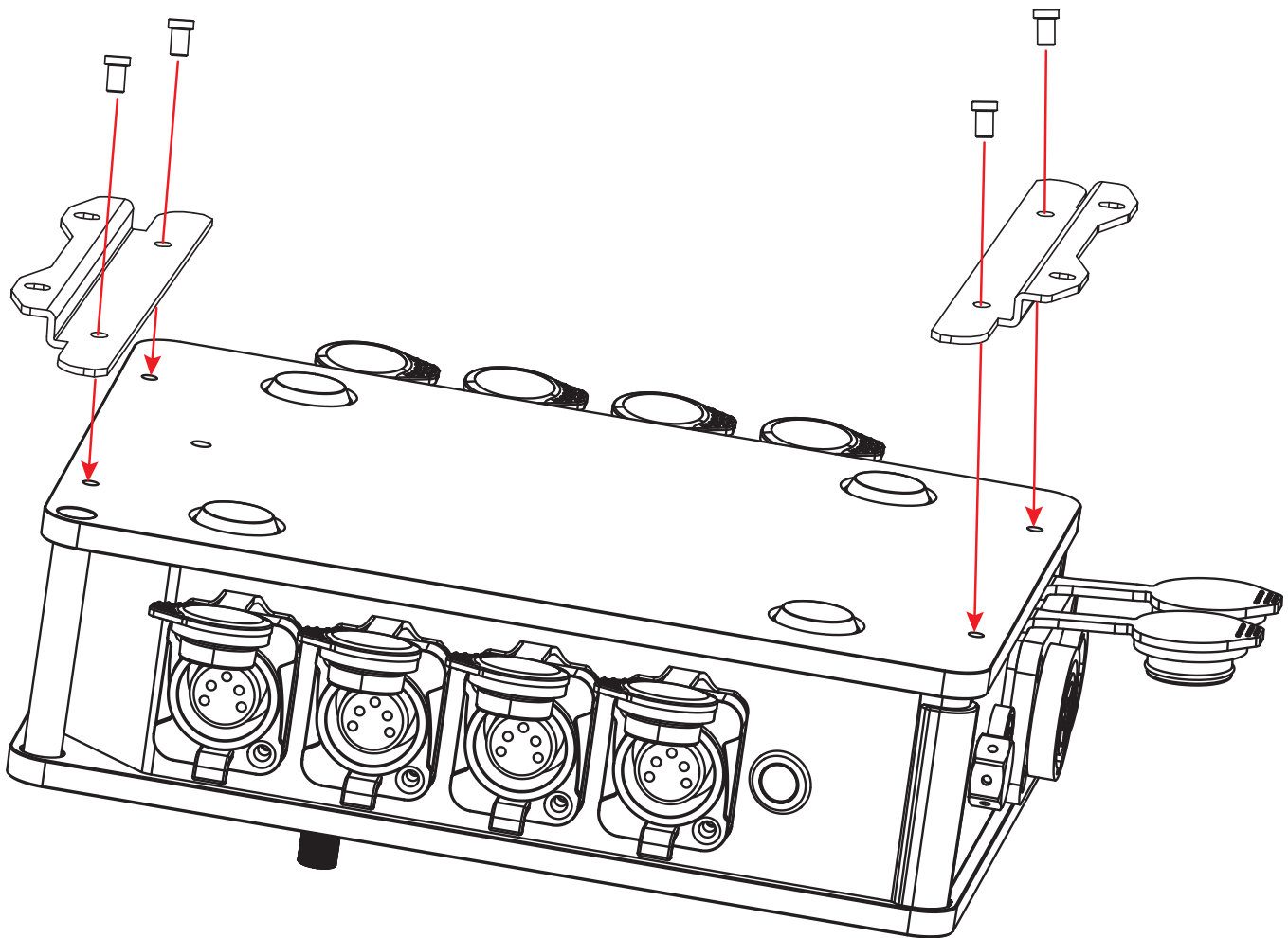


INSTALLATION INSTRUCTIONS

WALL MOUNTED

Flip the device over to expose the mounting holes on the bottom face. Align the circular holes on the wide flange of each included wall mount bracket to the mounting holes on each side of the device, then insert the included screws to secure the wall mount brackets in place. Refer to the illustration below. The elongated holes on the narrow flange of each bracket can then be used to secure the device to a wall. Always make sure that the mounting surface is certified to support the weight of the device and any associated accessories.

PLEASE NOTE THAT ALL UNUSED CONNECTION PORTS SHOULD BE SEALED USING THE INCLUDED PORT CAPS IN ORDER TO MAINTAIN IP66 RATING!



MAINTENANCE

The Obsidian Control Systems Neutron **RDM6 IP** is designed as a rugged, roadworthy device. The only required service is periodic cleaning of external surfaces. For other service-related concerns, please contact your Obsidian Control Systems dealer, or visit www.obsidiancontrol.com.

Any service that is not described in this guide must be carried out by a trained and qualified Obsidian Control Systems technician.

The frequency of cleaning depends on the environment in which the device operates. An Obsidian Control Systems technician can provide recommendations if necessary.

Never spray cleaner directly onto the device surface. Instead, cleaner should always be sprayed into a lint-free cloth, which can then be used to wipe surfaces clean. Consider using cleaning products designed for cellphone and tablet devices.



Important! Excessive dust, dirt, smoke, fluid build-up, and other materials can degrade the performance of the device, causing overheating and damage to the unit that is not covered by the warranty.

SPECIFICATIONS

Mounting

- Standalone
- Truss-mount (M10 or M12)
- Wall-mount

Connections - Sides

- (1) 5pin IP66 DMX In
- (1) 5pin IP66 DMX Thru
- (6) 5pin IP66 DMX/RDM optically isolated ports
- DMX Termination Button
- RDM Enable / Disable Button

Connections - Bottom

- Locking IP66 Power In/Thru

Connections - Front

- LED Port Feedback

Physical

- Length: 204mm (8 in.)
- Width: 179mm (7.1 in.)
- Height: 61mm (2.4 in.)
- Weight: 2 kg (4.41 lbs)

Electrical

- 100-240 V nominal, 50/60 Hz, 5W

Ordering

- US #: NIP101
- EU #: 1330000086

Approvals / Ratings

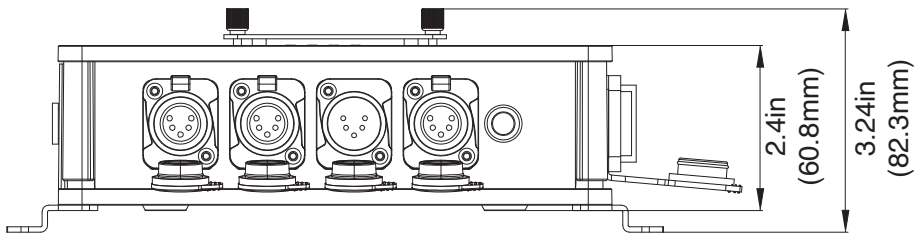
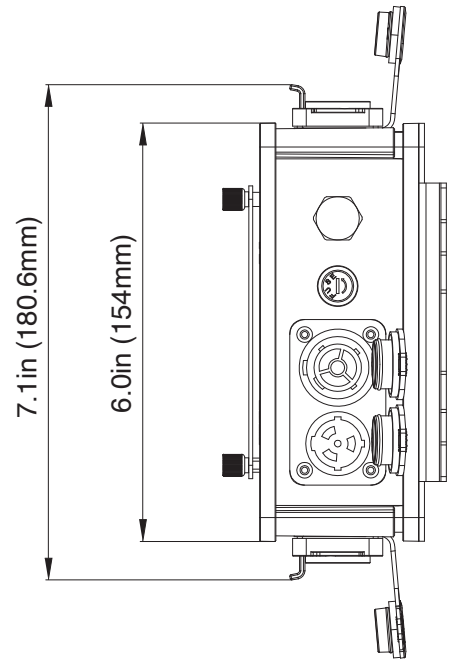
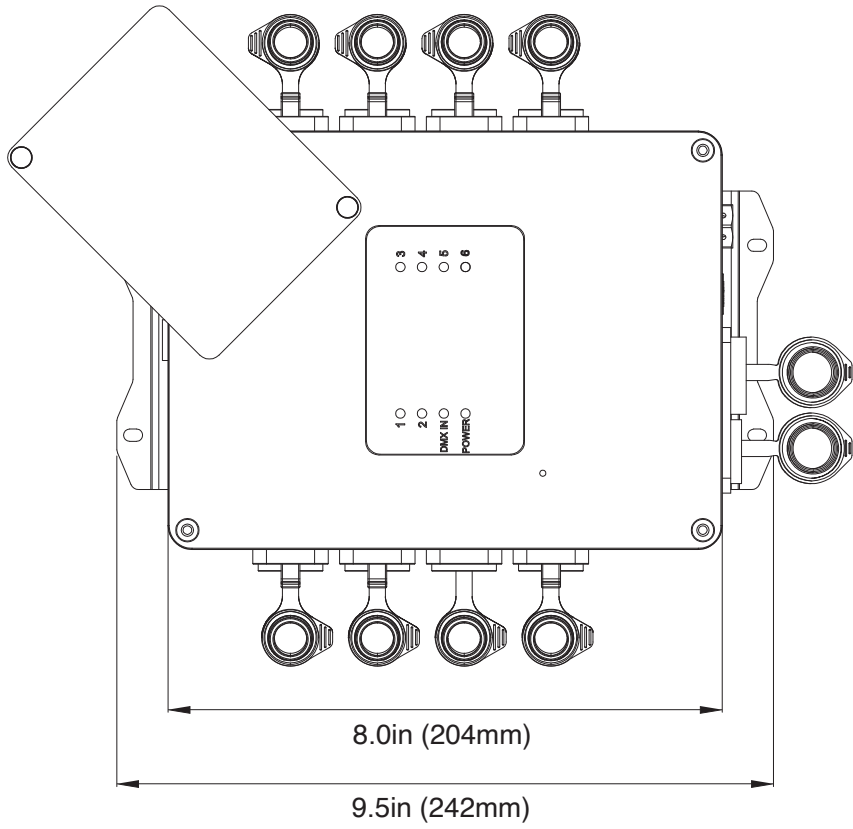
- cETLus / CE / UKCA / IP66



IP66

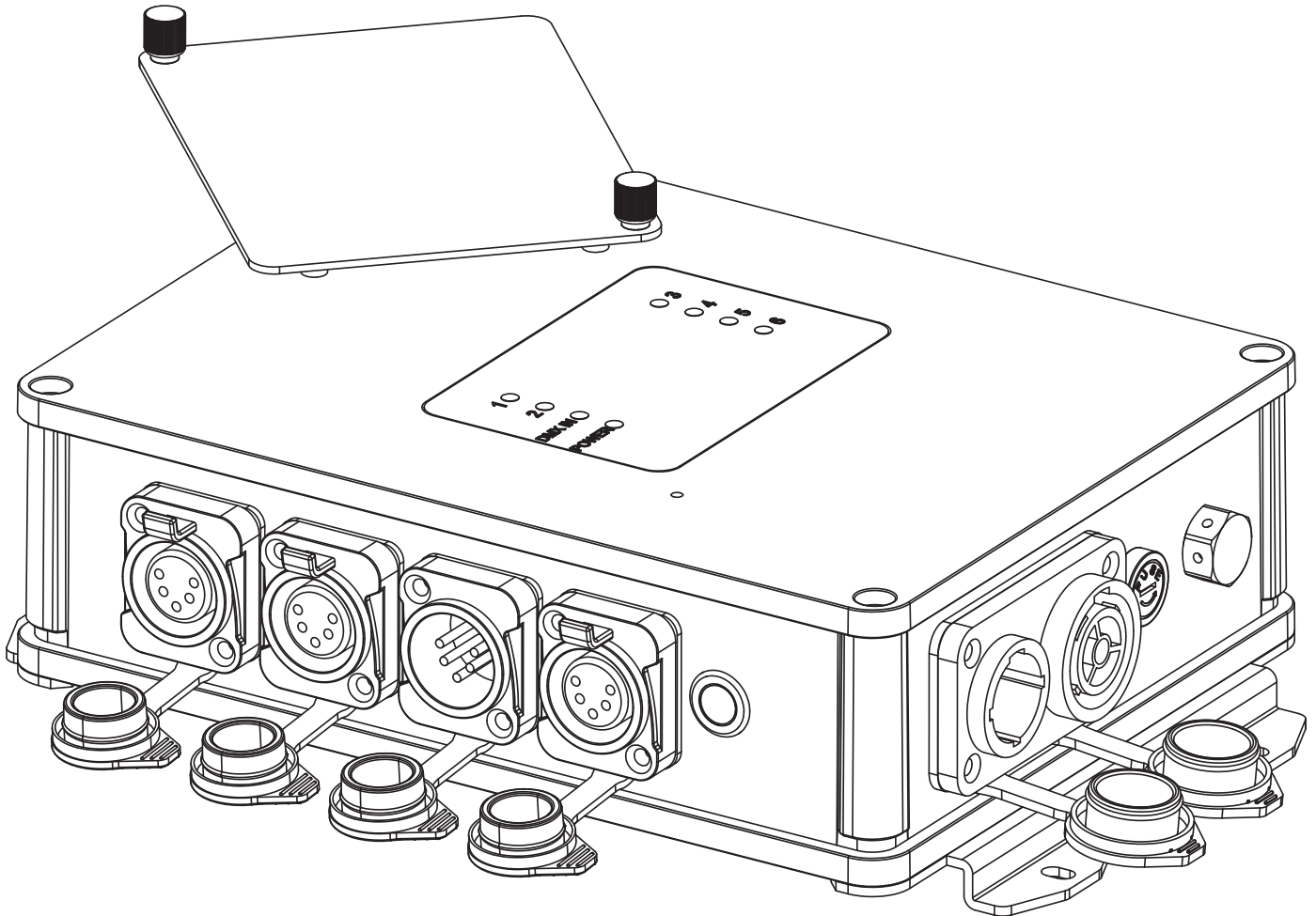
DIMENSIONS

Dimension drawings not to scale



OBSIDIAN

CONTROL SYSTEMS



NETRON

RDM6 IP

Guide d'installation

©2024 **OBSIDIAN CONTROL SYSTEMS** tous droits réservés. Les informations, spécifications, diagrammes, images et instructions contenus dans le présent document sont sujets à changement sans préavis. Le logo Obsidian Control Systems et les noms et numéros d'identification des produits contenus dans le présent document sont des marques commerciales d'ADJ PRODUCTS LLC. La protection du droit d'auteur revendiquée inclut toutes les formes et tous les éléments de documents et d'informations protégés par le droit d'auteur actuellement autorisés par la loi statutaire ou judiciaire ou accordés ci-après. Les noms de produits utilisés dans ce document peuvent être des marques commerciales ou des marques déposées de leurs sociétés respectives et sont reconnus par la présente. Toutes les marques et noms de produits non ADJ sont des marques commerciales ou des marques déposées de leurs sociétés respectives.

OBSIDIAN CONTROL SYSTEMS et toutes les sociétés affiliées déclinent par la présente toute responsabilité en cas de dommages matériels, d'équipement, de bâtiment et électriques, de blessures à toute personne et de perte économique directe ou indirecte associée à l'utilisation ou à la fiabilité de toute information contenue dans ce document, et/ou à la suite d'un assemblage, d'une installation, d'un montage et d'un fonctionnement inappropriés, dangereux, insuffisants et négligents de ce produit.

ELATION PROFESSIONAL B.V.

Junostraat 2 | 6468 EW Kerkrade, les Pays-Bas
+31 45 546 85 66

DÉCLARATION FCC

Cet appareil est conforme à la partie 15 des règles FCC. Son fonctionnement est soumis aux deux conditions suivantes : (1) cet appareil ne doit pas provoquer d'interférences nuisibles, et (2) cet appareil doit accepter toute interférence reçue, y compris les interférences susceptibles de provoquer un fonctionnement indésirable.

AVERTISSEMENTS ET INSTRUCTIONS SUR LES INTERFÉRENCES RADIO FRÉQUENCES DE LA FCC

Ce produit a été testé et déclaré conforme aux limites de la partie 15 des règles FCC. Ces limites sont conçues pour fournir une protection raisonnable contre les interférences nuisibles dans une installation résidentielle. Cet appareil utilise et peut émettre de l'énergie radiofréquence et, s'il n'est pas installé et utilisé conformément aux instructions fournies, peut provoquer des interférences nuisibles aux communications radio. Cependant, rien ne garantit que des interférences ne se produiront pas dans une installation particulière. Si cet appareil provoque des interférences nuisibles à la réception radio ou télévision, ce qui peut être déterminé en éteignant et en allumant l'appareil, l'utilisateur est encouragé à essayer de corriger les interférences par une ou plusieurs des méthodes suivantes :

- Réorientez ou déplacez l'appareil.
- Augmentez la séparation entre l'appareil et le récepteur.
- Connectez l'appareil à une prise électrique sur un circuit différent de celui auquel le récepteur radio est connecté.
- Consultez le revendeur ou un technicien radio/TV expérimenté pour obtenir de l'aide.

Questions d'économie d'énergie (EuP 2009/125/CE)

Économiser l'énergie électrique est une clé pour contribuer à la protection de l'environnement. Veuillez éteindre tous les produits électriques lorsqu'ils ne sont pas utilisés. Pour éviter la consommation d'énergie en mode veille, débranchez tous les équipements électriques de l'alimentation lorsqu'ils ne sont pas utilisés. Merci!

Version du document : Une version mise à jour de ce document peut être disponible en ligne. Veuillez consulter www.obsidiancontrol.com pour la dernière révision/mise à jour de ce document avant de commencer l'installation et l'utilisation.

Date	Version du document	Note
04/04/2024	1.0	Première version
04/09/2024	1.1	Traduction française ajoutée; Informations générales mises à jour

CONTENU

Informations générales	4
Garantie limitée	5
Classé IP66	6
Consignes de sécurité	7
Connexions	8
instructions d'installation	10
Entretien	13
Caractéristiques	14
Dimensions	15

INFORMATIONS GÉNÉRALES

INTRODUCTION

Veillez lire et comprendre attentivement et minutieusement les instructions de ce manuel avant d'essayer d'utiliser cet appareil. Ces instructions contiennent des informations importantes sur la sécurité et l'utilisation.

Le **Netron RDM6 IP** est un répartiteur DMX/RDM à six ports dans un châssis robuste classé IP66. Il est conçu pour les productions en direct, les plateaux de tournage, les installations temporaires en extérieur ou pour une utilisation intérieure avec une protection à long terme contre l'humidité, la poussière et les débris.

DÉBALLAGE

Chaque appareil a été minutieusement testé et a été expédié en parfait état de fonctionnement. Vérifiez soigneusement le carton d'expédition pour déceler les dommages qui auraient pu survenir pendant le transport. Si le carton est endommagé, inspectez soigneusement l'appareil pour déceler tout dommage et assurez-vous que tous les accessoires nécessaires à l'installation et au fonctionnement de l'appareil sont arrivés intacts. Si des dommages ont été constatés ou si des pièces sont manquantes, veuillez contacter notre équipe d'assistance client pour obtenir des instructions supplémentaires. Veuillez ne pas renvoyer cet appareil à votre revendeur sans avoir contacté au préalable le service client. Veuillez ne pas jeter le carton d'expédition à la poubelle. Veuillez recycler autant que possible.

PRINCIPALES CARACTÉRISTIQUES:

- Châssis IP66
- (6) sorties XLR 5 broches
- Conforme DMX et RDM
- Ports optiquement isolés
- Connecteurs d'alimentation / passage DMX
- Boîtier en aluminium thermolaqué

ARTICLES INCLUS

- Support de montage mural (x2)
- Écrou adaptateur M12 vers M10 (x1)
- Câble d'alimentation de 5 pieds (1,5 m) (x1)
- Vis argentées (x4)

SERVICE CLIENT

Contactez votre revendeur ou distributeur local Obsidian Controls Systems pour tout besoin de service et d'assistance lié au produit. Visitez également forum.obsidiancontrol.com avec des questions, des commentaires ou des suggestions.

OBSIDIAN CONTROL SERVICE EUROPE - Du lundi au vendredi de 08h30 à 17h00 CET
+31 45 546 85 63 | support@obsidiancontrol.com

OBSIDIAN CONTROL SERVICE USA - Du lundi au vendredi de 8h30 à 17h00 PST
+1(844) 999-9942 | support@obsidiancontrol.com

GARANTIE LIMITÉE

1. Obsidian Control Systems garantit par la présente, à l'acheteur d'origine, les produits Obsidian Control Systems contre tout défaut de fabrication de matériaux et de fabrication pour une période de deux ans (730 jours).
2. Pour le service de garantie, envoyez le produit uniquement au centre de service Obsidian Control Systems. Tous les frais d'expédition doivent être prépayés. Si les réparations ou le service demandés (y compris le remplacement des pièces) sont conformes aux termes de cette garantie, Obsidian Control Systems paiera les frais d'expédition de retour uniquement vers un point désigné aux États-Unis. Si un produit est envoyé, il doit être expédié dans son emballage et son matériel d'emballage d'origine. Aucun accessoire ne doit être expédié avec le produit. Si des accessoires sont expédiés avec le produit, Obsidian Control Systems ne pourra en aucun cas être tenu responsable de la perte et/ou de l'endommagement de ces accessoires, ni de leur retour en toute sécurité.
3. Cette garantie est nulle si le numéro de série du produit et/ou les étiquettes sont modifiés ou retirés ; si le produit est modifié d'une manière qui, selon Obsidian Control Systems, après inspection, affecte la fiabilité du produit ; si le produit a été réparé ou entretenu par toute personne autre que l'usine d'Obsidian Control Systems, sauf autorisation écrite préalable délivrée à l'acheteur par Obsidian Control Systems ; si le produit est endommagé parce qu'il n'est pas correctement entretenu comme indiqué dans les instructions du produit, les directives et/ou le manuel d'utilisation.
4. Il ne s'agit pas d'un contrat de service et cette garantie n'inclut aucun entretien, nettoyage ou contrôle périodique. Pendant les périodes spécifiées ci-dessus, Obsidian Control Systems remplacera les pièces défectueuses à ses frais et absorbera toutes les dépenses liées au service de garantie et à la main-d'œuvre de réparation en raison de défauts de matériaux ou de fabrication. La seule responsabilité d'Obsidian Control Systems dans le cadre de cette garantie sera limitée à la réparation du produit ou à son remplacement, y compris les pièces, à la seule discrétion d'Obsidian Control Systems. Tous les produits couverts par cette garantie ont été fabriqués après le 1er janvier 1990 et portent des marques d'identification à cet effet.
5. Obsidian Control Systems se réserve le droit d'apporter des modifications à la conception et/ou à des améliorations de performances sur ses produits sans aucune obligation d'inclure ces modifications dans les produits fabriqués jusqu'à présent.
6. Aucune garantie, expresse ou implicite, n'est donnée ou faite concernant tout accessoire fourni avec les produits décrits ci-dessus. Sauf dans la mesure interdite par la loi applicable, toutes les garanties implicites faites par Obsidian Control Systems en relation avec ce produit, y compris les garanties de qualité marchande ou d'adéquation, sont limitées en durée aux périodes de garantie énoncées ci-dessus. Et aucune garantie, expresse ou implicite, y compris les garanties de qualité marchande ou d'adéquation, ne s'appliquera à ce produit après l'expiration de ces périodes. Le seul recours du consommateur et/ou du revendeur sera la réparation ou le remplacement expressément prévu ci-dessus ; et en aucun cas Obsidian Control Systems ne sera responsable de toute perte et/ou dommage, direct et/ou consécutif, découlant de l'utilisation et/ou de l'incapacité d'utiliser ce produit.
7. Cette garantie est la seule garantie écrite applicable aux produits Obsidian Control Systems et remplace toutes les garanties antérieures et les descriptions écrites des termes et conditions de garantie publiées jusqu'à présent.
8. Utilisation de logiciels et de micrologiciels : Dans la mesure maximale permise par la loi applicable, Elation ou Obsidian Control Systems ou ses fournisseurs ne pourront en aucun cas être tenus responsables de quelque dommage que ce soit (y compris, mais sans s'y limiter, les dommages pour perte de profits ou de données, pour interruption d'activité, pour blessure corporelle ou autre perte de quelque nature que ce soit) découlant de ou lié de quelque manière que ce soit à l'utilisation ou à l'incapacité d'utiliser un micrologiciel ou un logiciel, à la fourniture ou à l'incapacité de fournir une assistance ou d'autres services, informations, micrologiciels, logiciels et contenu connexe via le logiciel ou résultant de l'utilisation de tout logiciel ou micrologiciel, même en cas de faute, de délit (y compris la négligence), de fausse déclaration, de responsabilité stricte, de violation de la garantie d'Elation ou d'Obsidian Control Systems ou de tout fournisseur, et même si Elation ou Obsidian Control Systems ou tout fournisseur a été informé de la possibilité de tels dommages.

RETOURS SOUS GARANTIE : Tous les articles de service retournés, qu'ils soient sous garantie ou non, doivent être payés d'avance et accompagnés d'un numéro d'autorisation de retour (R.A.). La R.A. Le numéro doit être clairement inscrit à l'extérieur du colis de retour. Une brève description du problème ainsi que le R.A. Le numéro doit également être écrit sur un morceau de papier et inclus dans le conteneur d'expédition. Si l'appareil est sous garantie, vous devez fournir une copie de votre preuve d'achat. Articles retournés sans R.A. Le numéro clairement marqué à l'extérieur du colis sera refusé et renvoyé aux frais du client. Vous pouvez obtenir un R.A. numéro en contactant le service client.

CLASSÉ IP66

Le système d'évaluation de la **protection internationale (IP)** est communément exprimé par « IP » (Ingress Protection) suivi de deux chiffres (c'est-à-dire IP66), où les chiffres définissent le degré de protection. Le premier chiffre (Protection contre les corps étrangers) indique le degré de protection contre les particules pénétrant dans le luminaire, et le deuxième chiffre (Protection contre l'eau) indique le degré de protection contre l'eau pénétrant dans le luminaire. **Un luminaire classé IP66 est conçu et testé pour protéger contre la pénétration de la poussière (6) et des jets d'eau à haute pression provenant de toutes les directions (6).**

REMARQUE : CE LUMINAIRE EST DESTINÉ À UNE UTILISATION TEMPORAIRE À L'EXTÉRIEUR UNIQUEMENT !

Installations pour environnement maritime/côtier : Un environnement côtier est adjacent au bord de mer et est caustique pour l'électronique en raison de l'exposition à l'eau salée atomisée et à l'humidité, tandis que le milieu maritime se trouve n'importe où à moins de 5 miles d'un environnement côtier.



NE convient PAS aux installations en environnement maritime/côtier. L'installation de ce luminaire dans un environnement maritime/côtier peut provoquer de la corrosion et/ou une usure excessive des composants intérieurs et/ou extérieurs du luminaire. Les dommages et/ou les problèmes de performances résultant de l'installation dans un environnement maritime/côtier annuleront la garantie du fabricant et ne feront l'objet d'aucune réclamation au titre de la garantie et/ou de réparations.

CONSIGNES DE SÉCURITÉ

Cet appareil est un équipement électronique sophistiqué. Pour garantir un fonctionnement fluide, il est important de suivre toutes les instructions et directives de ce manuel. OBSIDIAN CONTROL SYSTEMS n'est pas responsable des blessures et/ou des dommages résultant d'une mauvaise utilisation de cet appareil en raison du non-respect des informations imprimées dans ce manuel. Seules les pièces et/ou accessoires d'origine fournis pour cet appareil doivent être utilisés. Toute modification apportée à l'appareil, inclus et/ou aux accessoires annulera la garantie d'origine du fabricant et augmentera le risque de dommages et/ou de blessures corporelles.



CLASSE DE PROTECTION 1 – L'APPAREIL DOIT ÊTRE CORRECTEMENT MISE À LA TERRE



N'ESSAYEZ PAS D'UTILISER CET APPAREIL SANS ÊTRE COMPLÈTEMENT FORMÉ À SON UTILISATION. TOUT DOMMAGE OU RÉPARATION DE CET APPAREIL OU DE TOUT LUMINAIRE CONTRÔLÉ PAR CET APPAREIL RÉSULTANT D'UNE MAUVAISE UTILISATION ET/OU DU NON-RESPECT DES DIRECTIVES DE SÉCURITÉ ET D'UTILISATION DE CE DOCUMENT ANNULE LA GARANTIE DES SYSTÈMES DE CONTRÔLE D'OBSIDIAN NE SONT SOUMIS À AUCUNE RÉCLAMATION DE GARANTIE ET/OU RÉPARATIONS, ET PEUT ÉGALEMENT ANNULER LA GARANTIE POUR TOUT APPAREIL NON FABRIQUÉ PAR OBSIDIAN CONTROL SYSTEMS. GARDER LES MATÉRIAUX INFLAMMABLES À L'ÉCART DE L'APPAREIL.

- DÉBRANCHEZ l'appareil de l'alimentation secteur lorsqu'il n'est pas utilisé ou avant d'effectuer tout entretien ou réparation, y compris le retrait de fusibles ou d'autres pièces.
- Mettez toujours cet appareil à la terre électriquement.
- Utilisez uniquement une source d'alimentation CA conforme aux codes locaux du bâtiment et de l'électricité et dotée d'une protection contre les surcharges et les défauts à la terre.
- N'essayez jamais de contourner les fusibles. Remplacez toujours les fusibles défectueux par des fusibles du type et du calibre spécifiés.
- Confiez tout entretien à un technicien qualifié.
- Ne modifiez pas l'appareil et n'installez pas d'autres pièces que les pièces d'origine Netron.
- ÉVITER la manipulation par force brute pendant le transport ou le fonctionnement.
- N'exposez AUCUNE partie de l'appareil à une flamme nue ou à de la fumée. Gardez l'appareil éloigné des sources de chaleur telles que les radiateurs, les bouches de chaleur, les poêles ou autres appareils (y compris les amplificateurs) qui produisent de la chaleur.
- NE PAS utiliser l'appareil dans des environnements extrêmes et/ou sévères.
- Remplacez les fusibles par des unités du même type et du même calibre uniquement. N'essayez jamais de contourner un fusible. Unité dotée d'un seul fusible côté ligne.
- NE PAS faire fonctionner l'appareil si le cordon d'alimentation est effiloché, serti, endommagé et/ou si l'un des connecteurs du cordon d'alimentation est endommagé et ne s'insère pas facilement et en toute sécurité dans l'appareil.
- NE JAMAIS forcer le connecteur du cordon d'alimentation dans l'appareil. Si le cordon d'alimentation ou l'un de ses connecteurs est endommagé, remplacez-le immédiatement par un neuf de même puissance.
- Utilisez uniquement le bloc d'alimentation CA et les cordons d'alimentation fournis ainsi que le connecteur approprié pour le pays d'utilisation. L'utilisation du câble d'alimentation fourni par l'usine est obligatoire pour le fonctionnement aux États-Unis et au Canada.
- Permettre une circulation d'air libre et sans obstruction sur le côté du produit. Ne bloquez pas les fentes d'aération.
- Utilisez la console uniquement sur une surface stable et solide.
- NE PAS utiliser le produit si la température ambiante dépasse 45°C (113° F)
- Transportez le produit uniquement dans un emballage approprié ou dans une valise routière adaptée. Les dommages dus au transport ne sont pas couverts par la garantie.

CONNEXIONS

CONNEXIONS CA



L'Obsidian Control Systems Netron RDM6 IP est évalué à 100-240 V 50/60 Hz. Ne le connectez pas à une alimentation en dehors de cette plage. Les dommages résultant d'une connexion incorrecte ne sont pas couverts par la garantie.

Amérique du Nord : Un câble d'alimentation approprié est fourni pour une utilisation avec cet appareil aux États-Unis et au Canada. Ce câble approuvé doit être utilisé en Amérique du Nord.

Reste du monde : le câble d'alimentation fourni n'est pas équipé d'une fiche spécifique au pays. Installez uniquement une prise conforme aux codes électriques locaux et/ou nationaux et adaptée aux exigences spécifiques du pays.

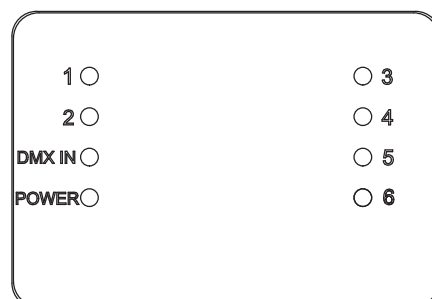
CONNEXIONS DMX

Toutes les connexions de sortie DMX sont des XLR femelles à 5 broches ; le brochage de toutes les prises est la broche 1 au blindage, la broche 2 au froid (-) et la broche 3 au chaud (+). Les broches 4 et 5 ne sont pas utilisées. Connectez soigneusement les câbles DMX aux ports respectifs. Pour éviter d'endommager les ports DMX, fournissez un serre-câble et un support. Évitez de connecter les FOH Snakes directement aux ports.

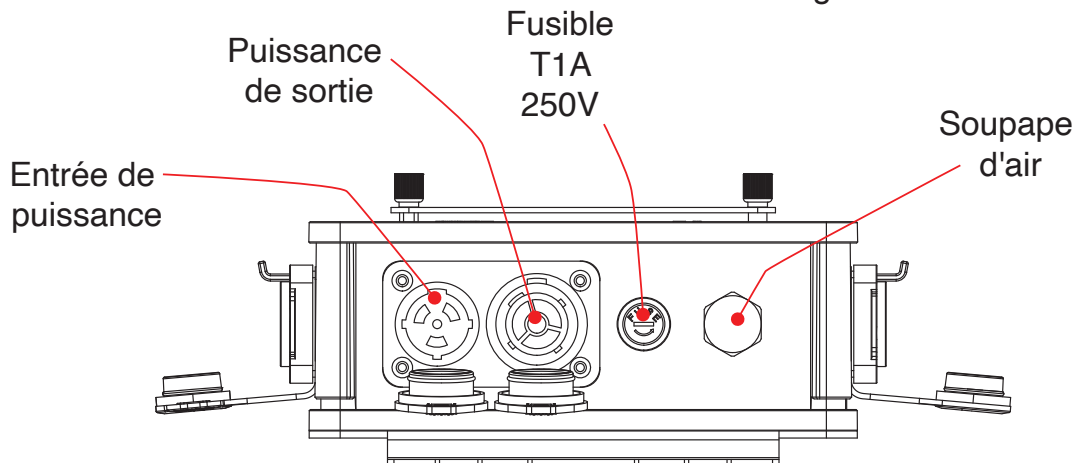
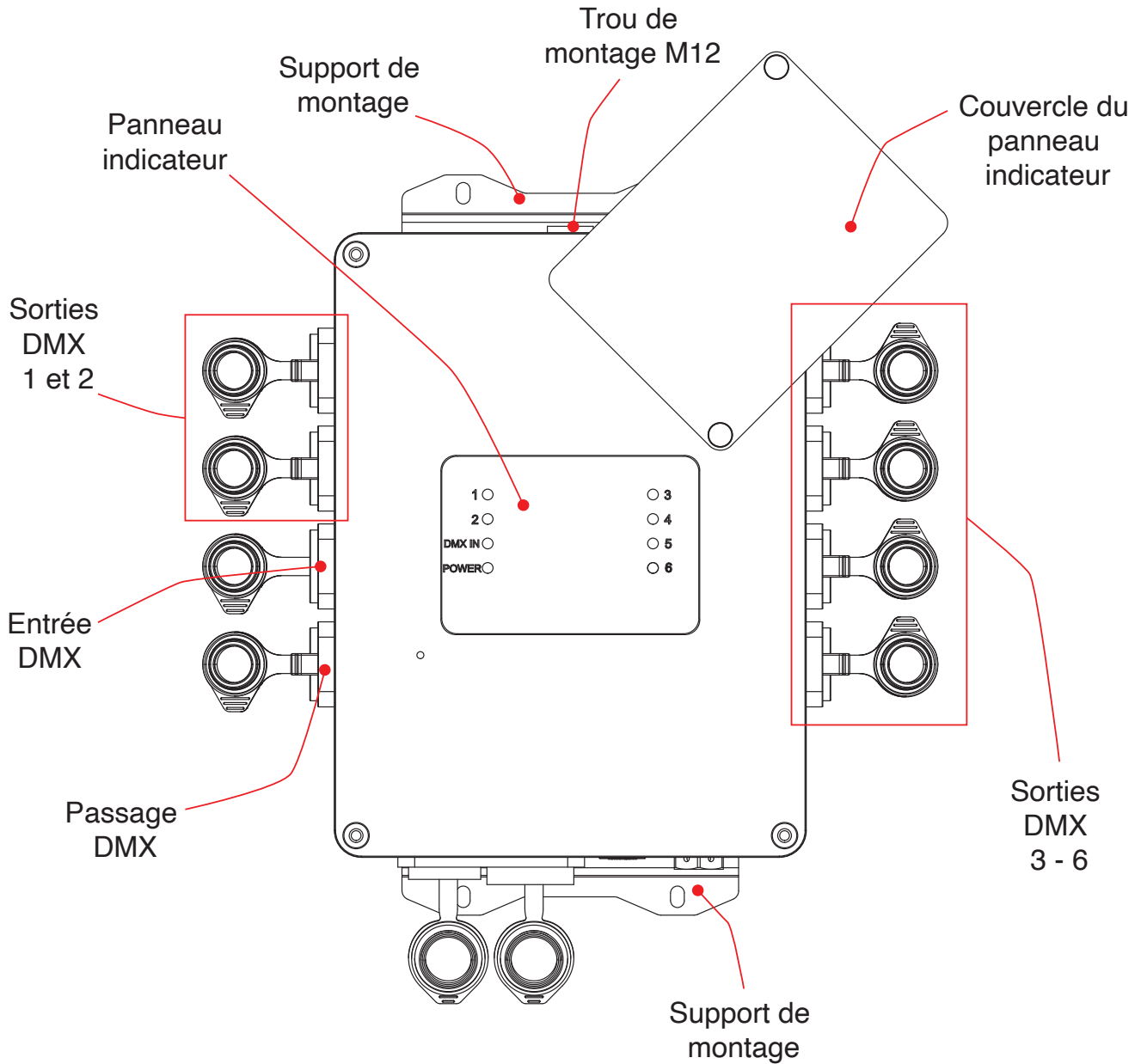
ÉPINGLE	CONNEXION
1	Communication
2	Données-
3	Données+
4	Pas connecté
5	Pas connecté

Cet appareil dispose de six (6) sorties DMX, d'une (1) entrée DMX et d'un (1) port d'intercommunication DMX. Les voyants lumineux de toutes les connexions de données (ainsi que les connexions d'alimentation) sont situés sur un panneau indicateur sur le dessus de l'appareil, comme indiqué ci-dessous.

Vu de dessus avec le texte du panneau indicateur orienté vers le haut, les sorties DMX 1 et 2 sont situées dans le côté supérieur gauche de l'appareil, l'entrée DMX et les ports de passage sont situés dans le côté inférieur gauche de l'appareil, et les sorties DMX 3 à 6 sont situés sur le côté droit de l'appareil. Veuillez vous référer à l'image de la page suivante.



CONNEXIONS



INSTRUCTIONS D'INSTALLATION



DÉBRANCHEZ L'ALIMENTATION AVANT D'EFFECTUER TOUTE MAINTENANCE !



CONNECTIONS ELECTRIQUES

Un électricien qualifié doit être utilisé pour toutes les connexions et/ou installations électriques.



SOYEZ PRUDENT LORS DE LA LIAISON D'ALIMENTATION D'AUTRES MODÈLES D'APPAREILS CAR LA CONSOMMATION D'ÉNERGIE D'AUTRES MODÈLES D'APPAREILS PEUT DÉPASSER LA PUISSANCE DE SORTIE MAXIMALE DE CET APPAREIL. VÉRIFIEZ LA SÉRIE POUR LES AMPÈRES MAXIMUM.

L'appareil DOIT être installé conformément à tous les codes et réglementations électriques et de construction commerciaux locaux, nationaux et internationaux.

LIAISON DE PUISSANCE



SOYEZ PRUDENT LORS DE LA LIAISON D'ALIMENTATION CAR LA CONSOMMATION D'ÉNERGIE PEUT DÉPASSER LA PUISSANCE DE SORTIE MAXIMALE DE CET APPAREIL. VÉRIFIEZ LA SÉRIE POUR LES AMPÈRES MAXIMUM.



VEUILLEZ NOTER QUE TOUS LES PORTS DE CONNEXION INUTILISÉS DOIVENT ÊTRE SCELLÉS À L'AIDE DES CAPUCHONS DE PORT INCLUS AFIN DE MAINTENIR



HOUSSE DE PROTECTION AMOVIBLE

Le couvercle métallique sert uniquement à protéger l'écran en verre contre les dommages mécaniques. Bien que cela ne soit pas nécessaire pour la protection IP de l'appareil, il est conseillé de le laisser installé une fois l'unité configurée.

OPTIONS DE MONTAGE :

- Monté sur ferme à l'aide du trou de montage M12 pour une utilisation avec une pince de ferme ou du matériel de montage approprié.
- Montage mural horizontalement ou verticalement (supports de montage mural inclus)
- Autonome, où l'appareil repose sur une surface stable et plane.

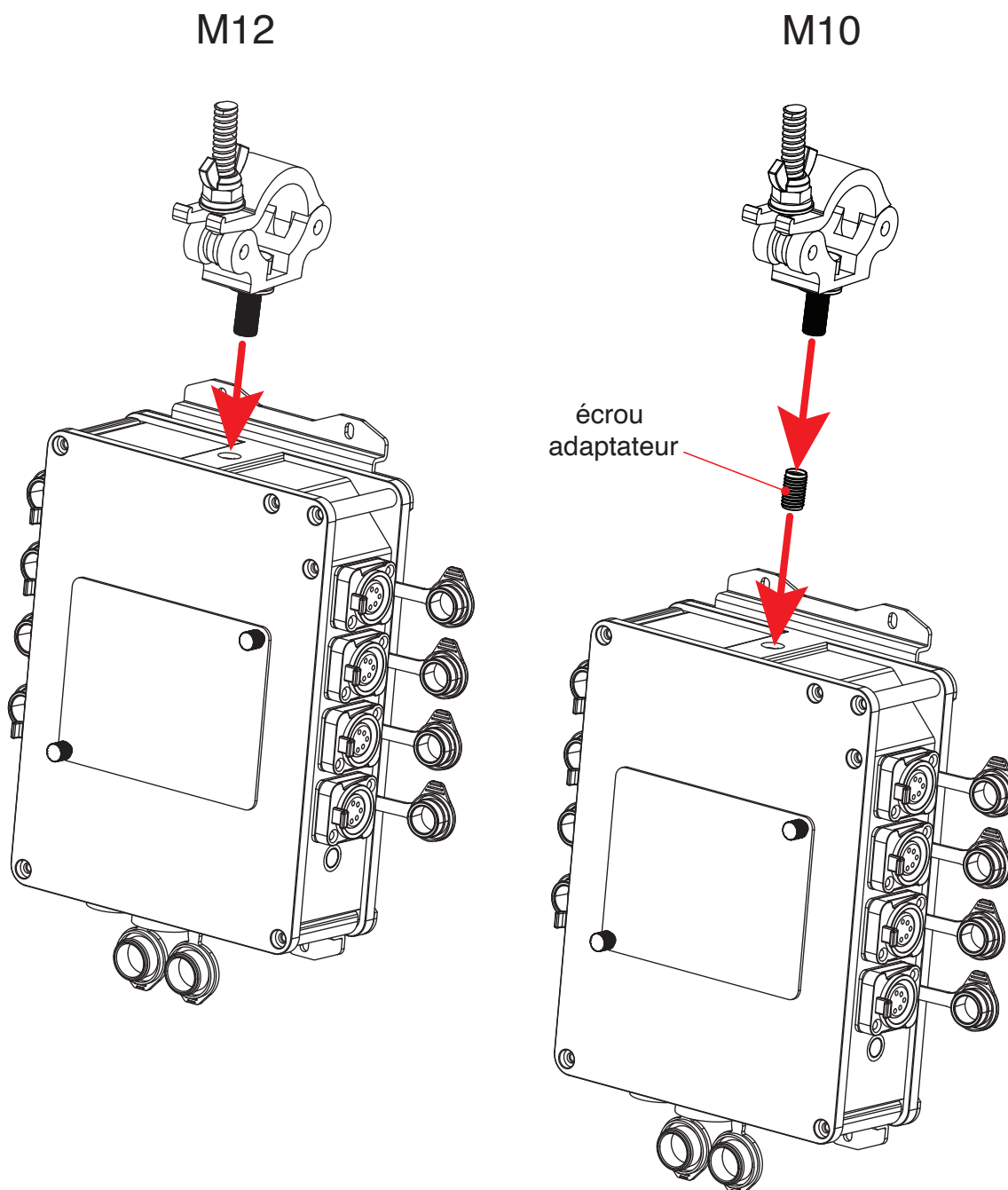
Reportez-vous aux pages suivantes pour obtenir des informations détaillées sur chaque méthode d'installation.

INSTRUCTIONS D'INSTALLATION

MONTÉ SUR TREILLIS AVEC PINCE

Cette unité peut être montée sur une ferme à l'aide d'un boulon M10 ou M12. Pour le boulon M12, comme illustré à gauche, insérez simplement le boulon dans une pince de montage correctement dimensionnée, puis vissez le boulon dans le trou de montage correspondant sur le côté de l'appareil et serrez fermement. Pour un boulon M10, comme indiqué à droite, insérez l'écrou adaptateur inclus dans le trou de montage de l'appareil, puis vissez votre boulon M10. La pince peut maintenant être utilisée pour fixer l'appareil à une ferme. Utilisez toujours une pince conçue pour supporter le poids de l'appareil et de tous les accessoires associés.

VEUILLEZ NOTER QUE TOUS LES PORTS DE CONNEXION INUTILISÉS DOIVENT ÊTRE SCÉLLÉS À L'AIDE DES CAPUCHONS DE PORT INCLUS AFIN DE MAINTENIR L'ÉVALUATION IP66 !

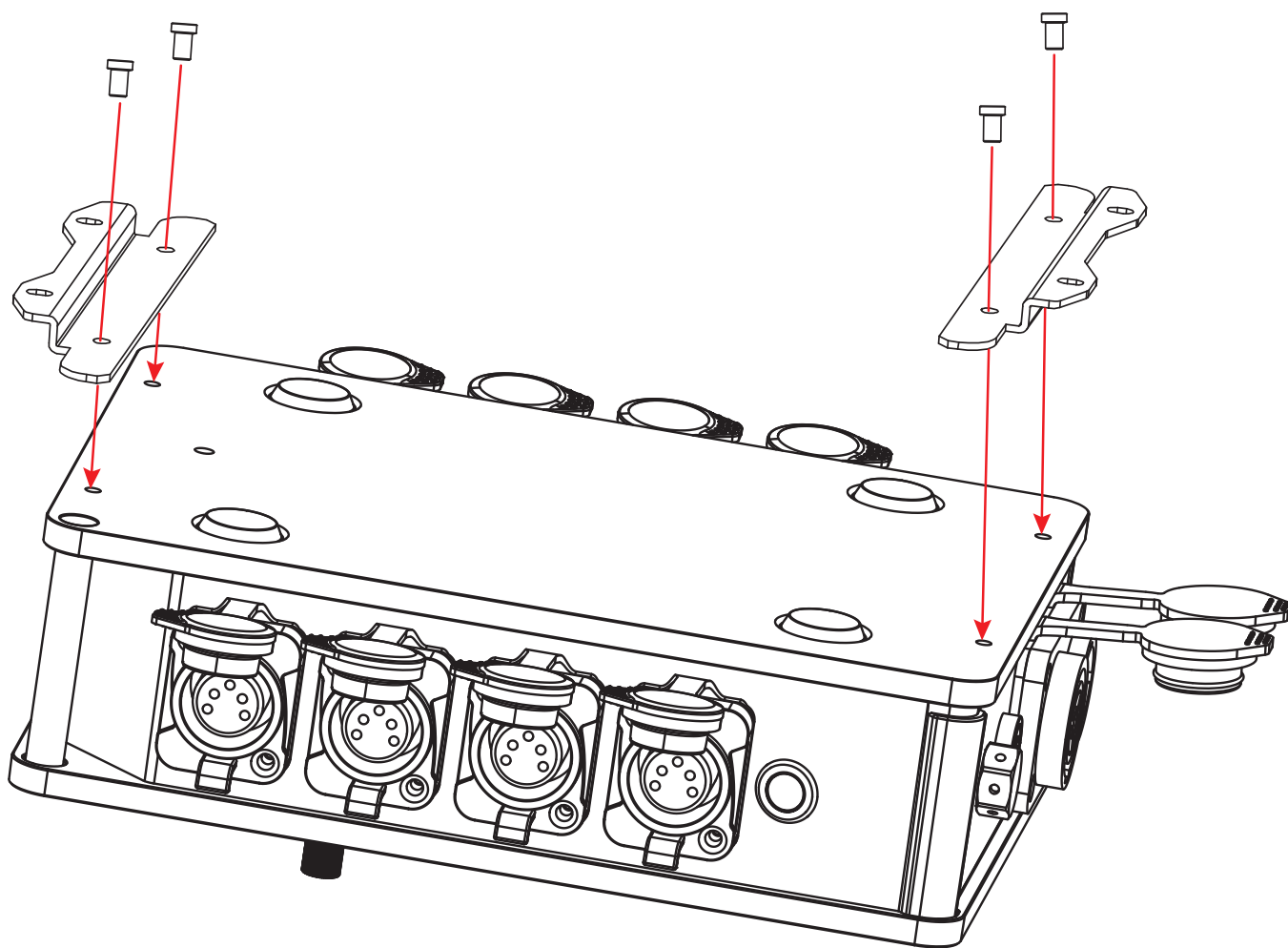


INSTRUCTIONS D'INSTALLATION

MONTÉ AU MUR

Retournez l'appareil pour exposer les trous de montage sur la face inférieure. Alignez les trous circulaires de la large bride de chaque support de montage mural inclus avec les trous de montage de chaque côté de l'appareil, puis insérez les vis fournies pour fixer les supports de montage mural en place. Reportez-vous à l'illustration ci-dessous. Les trous allongés sur la bride étroite de chaque support peuvent ensuite être utilisés pour fixer l'appareil à un mur. Assurez-vous toujours que la surface de montage est certifiée pour supporter le poids de l'appareil et de tous les accessoires associés.

VEUILLEZ NOTER QUE TOUS LES PORTS DE CONNEXION INUTILISÉS DOIVENT ÊTRE SCELLÉS À L'AIDE DES CAPUCHONS DE PORT INCLUS AFIN DE MAINTENIR L'ÉVALUATION IP66 !



ENTRETIEN

L'Obsidian Control Systems Netron **RDM6 IP** est conçu comme un appareil robuste et en bon état de marche. Le seul service requis est le nettoyage périodique des surfaces externes. Pour d'autres problèmes liés au service, veuillez contacter votre revendeur Obsidian Control Systems ou visiter www.obsidiancontrol.com.

Tout service qui n'est pas décrit dans ce guide doit être effectué par un technicien Obsidian Control Systems formé et qualifié.

La fréquence de nettoyage dépend de l'environnement dans lequel l'appareil fonctionne. Un technicien d'Obsidian Control Systems peut fournir des recommandations si nécessaire.

Ne vaporisez jamais de nettoyant directement sur la surface de l'appareil. Au lieu de cela, le nettoyant doit toujours être pulvérisé sur un chiffon non pelucheux, qui peut ensuite être utilisé pour essuyer les surfaces. Pensez à utiliser des produits de nettoyage conçus pour les téléphones portables et les tablettes.



Important! Une poussière excessive, de la saleté, de la fumée, une accumulation de liquide et d'autres matériaux peuvent dégrader les performances de l'appareil, provoquant une surchauffe et des dommages à l'appareil qui ne sont pas couverts par la garantie.

CARACTÉRISTIQUES

Montage

- Autonome
- Montage sur ferme (M10 ou M12)
- Montage mural

Connexions - Côtés

- (1) entrée DMX IP66 5 broches
- (1) DMX à 5 broches IP66
- (6) ports DMX/RDM optiquement isolés IP66 5 broches
- Bouton de terminaison DMX
- Bouton d'activation/désactivation RDM

Connexions - Bas

- Verrouillage de l'alimentation IP66

Connexions - Avant

- Port LED avec retour

Physique

- Longueur : 204 mm (8 po)
- Largeur : 179 mm (7,1 po)
- Hauteur : 61 mm (2,4 po)
- Poids : 2 kg (4,41 livres)

Électrique

- 100-240 V nominal, 50/60 Hz, 5 W

Commande

- Numéro américain : NIP101
- Numéro UE : 1330000086
- Approbations/notations
- cETLus/CE/UKCA/IP66



IP66

DIMENSIONS

Dessins non représentés à l'échelle

